

ABS - AMERICAN BUILDING SUPPLY, INC.

BI-PASS WARDROBE AND ROOM DIVIDER COLLECTION

1000/Euro Series: Page 2

A durable prefinished vinyl board bi-pass, assembled with baked enamel steel door pull stiles and rails. The doors are bottom rolling on plain bearing Delrin 1-1/2" wheels and top guided, with a nylon anti-rattle designed guide.

1500/Euro Series: Page 3 & 4

A steel framed mirror bi-pass, assembled with baked enamel steel door pull stiles and rails on 1/8" safety backed mirror. The doors are bottom rolling on plain bearing Delrin 1-1/2" wheels and top guided with a nylon anti-rattle designed guide.

2100 Series: Page 5 & 6

Narrow aluminum stiles with an innovative, distinctive design...An aluminum frame and track mirror bi-pass with uniquely designed stiles; engineered with an integral pull area for effortless operation. The stiles and rails are attached to the mirror with a premium clear vinyl glazing channel that eliminates vibration and noise. The doors are bottom rolling and top guided on an engineered "jump resistant" track system.

3100 Series: Page 7 & 8

Wide aluminum stile framing makes a bold and distinctive design statement...An aluminum frame and track mirror bi-pass, that is bottom rolling and top guided on an engineered "jump resistant" track system. The stiles and rails are attached to the mirror with a premium clear vinyl glazing channel that eliminates vibration and noise.

4000 Series: Page 9

A steel Frameless or framed Thinline stile mirrored bi-pass...Offering an uninterrupted reflection while giving the illusion of added square footage. The frameless doors are assembled with "polished edge", safety backed mirror. Both systems are bottom rolling and top guided on an engineered "jump resistant" track system.

4100 Series: Page 10

An aluminum Frameless or framed Thinline stile mirrored bi-pass...Offering an uninterrupted reflection while giving the illusion of added square footage. The Frameless doors are assembled with "polished edge", safety backed mirror. Both systems are bottom rolling and top guided on an engineered "jump resistant" track system.

Room Divider Series: Page 11

Narrow aluminum stiles and rails, barn door application. White laminated glass allows rooms to share light while maintaining privacy. Compliments contemporary and modern decors. One piece aluminum wall mounted track includes an integrated fascia and heavy duty top mounted hardware. Adjustable floor guide allows for installation with or without baseboard.

Net finished opening specifications: Page 12

Track Profile: Page 13 & 14

Bi-pass wardrobe Installation Instructions: Page 15

Los Angeles

Phone: 909-879-8730

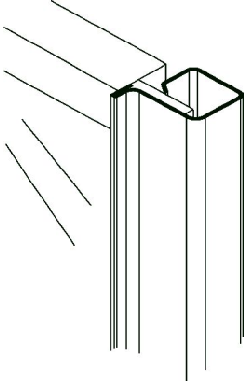
Fax: 909-879-8705



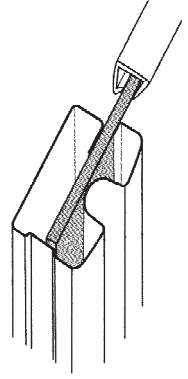
9/5/17
Mirror Wardrobe Doors
Page 1

ABS - AMERICAN BUILDING SUPPLY, INC.

HOME BUILDER SERIES 1000 / EURO BI-PASS VINYL WARDROBE DOORS STEEL FRAME



1000
FRAME



EURO
FRAME

SIZE	NUMBER OF PANELS	GOLD OR WHITE*	BRUSHED NICKEL	BRONZE
		1000 FRAME	EURO FRAME	EURO FRAME
		WHITE PANEL	WHITE PANEL	WHITE PANEL
4/0 x 6/8	2	\$139.00	\$151.00	\$177.00
5/0 x 6/8	2	\$155.00	\$166.00	\$192.00
6/0 x 6/8	2	\$175.00	\$183.00	\$213.00
7/0 x 6/8	2	\$192.00	\$205.00	\$232.00
8/0 x 6/8	2	\$211.00	\$230.00	\$245.00
9/0 x 6/8	3	\$266.00	\$358.00	\$323.00
10/0 x 6/8	3	\$281.00	\$365.00	\$337.00
12/0 x 6/8	3	\$309.00	\$373.00	\$364.00
4/0 x 8/0	2	\$154.00	\$166.00	\$197.00
5/0 x 8/0	2	\$171.00	\$184.00	\$216.00
6/0 x 8/0	2	\$197.00	\$202.00	\$243.00
7/0 x 8/0	2	\$217.00	\$222.00	\$262.00
8/0 x 8/0	2	\$239.00	\$250.00	\$281.00
9/0 x 8/0	3	\$298.00	\$321.00	\$363.00
10/0 x 8/0	3	\$317.00	\$326.00	\$387.00
12/0 x 8/0	3	\$352.00	\$357.00	\$418.00

STOCK ITEMS IN WHITE AREA - 4:30 PM CUT OFF TIME FOR NEXT DAY

001

NON-STOCK ITEMS IN SHADED AREAS - 3 TO 4 WORKING DAYS

*STOCK IS WHITE FRAME ONLY

- **All non-stock items are non-returnable.**
- For special unlisted sizes add one production day and use the price of the next largest size plus **\$20.00 list per panel.**
- Included in our standard packaged carton are 2 assembled panels, track, hardware and instructions. Note: 3 door units and oversized track will be packed separately.
- Special packaging for easier job-site handling is available for minimum orders of 10 sets.
- For larger quantity orders, please ask your sales representative for lead time / delivery date.

* Product descriptions see page 1

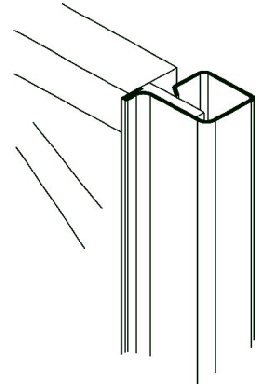
Los Angeles
Phone: 909-879-8730
Fax: 909-879-8705



9/5/17
Mirror Wardrobe Doors
Page 2

ABS - AMERICAN BUILDING SUPPLY, INC.

HOME BUILDER SERIES 1500 BI-PASS MIRROR WARDROBE DOORS STEEL FRAME



1500
FRAME

SIZE	NUMBER OF PANELS	WHITE 1500 FRAME	GOLD 1500 FRAME	BRONZE 1500 FRAME	ADD FOR POLAR WHITE GLASS
4/0 x 6/8	2	\$190.00	\$189.00	\$190.00	\$191.00
5/0 x 6/8	2	\$215.00	\$215.00	\$218.00	\$232.00
6/0 x 6/8	2	\$244.00	\$245.00	\$244.00	\$261.00
7/0 x 6/8	2	\$276.00	\$274.00	\$277.00	\$314.00
8/0 x 6/8	2	\$303.00	\$302.00	\$302.00	\$337.00
9/0 x 6/8	3	\$370.00	\$369.00	\$370.00	\$421.00
10/0 x 6/8	3	\$400.00	\$403.00	\$404.00	\$471.00
12/0 x 6/8	3	\$448.00	\$447.00	\$449.00	\$489.00
4/0 x 8/0	2	\$216.00	\$215.00	\$216.00	\$218.00
5/0 x 8/0	2	\$244.00	\$248.00	\$245.00	\$257.00
6/0 x 8/0	2	\$277.00	\$277.00	\$280.00	\$304.00
7/0 x 8/0	2	\$310.00	\$309.00	\$311.00	\$368.00
8/0 x 8/0	2	\$343.00	\$342.00	\$342.00	\$388.00
9/0 x 8/0	3	\$420.00	\$415.00	\$416.00	\$455.00
10/0 x 8/0	3	\$457.00	\$455.00	\$528.00	\$552.00
12/0 x 8/0	3	\$507.00	\$506.00	\$513.00	\$581.00

STOCK ITEMS IN WHITE AREA - 4:30 PM CUT OFF TIME FOR NEXT DAY DELIVERY

002

NON-STOCK ITEMS IN SHADED AREAS - 2:00PM CUT OFF TIME FOR NEXT DAY DELIVERY

- **All non-stock items are non-returnable.**
- For special unlisted sizes add one production day and use the price of the next largest size plus **\$25.00 list per panel.**
- Included in our standard packaged carton are 2 assembled panels, track, hardware and instructions. Note: 3 door units and oversized track will be packed separately.
- Special packaging for easier job-site handling is available for minimum orders of 10 sets.
- For larger quantity orders, please ask your sales representative for lead time / delivery date.

All mirror to be for passage door applications and conform to 16 CFR 1201, Cat. II 400# impact test along with ANSI 297.1, VBC 5406 and CPSC 42 FR 1428, Safety Glazing Standards. *

* American National Standards Institute • 1430 Broadway, New York, NY 10018
U.S. Consumer Product Safety Commission • Washington DC 20207

* **Product descriptions see page 1**

Los Angeles

Phone: 909-879-8730

Fax: 909-879-8705

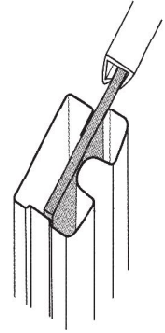


9/5/17
Mirror Wardrobe Doors
Page 3

ABS - AMERICAN BUILDING SUPPLY, INC.

HOME BUILDER SERIES 1500/EURO BI-PASS MIRROR WARDROBE DOORS STEEL FRAME

EURO
FRAME



SIZE	NUMBER OF PANELS	BRUSHED NICKEL EURO FRAME	BRONZE EURO FRAME	ADD FOR POLAR WHITE GLASS
4/0 x 6/8	2	\$203.00	\$226.00	\$191.00
5/0 x 6/8	2	\$230.00	\$255.00	\$232.00
6/0 x 6/8	2	\$257.00	\$285.00	\$261.00
7/0 x 6/8	2	\$290.00	\$314.00	\$314.00
8/0 x 6/8	2	\$314.00	\$340.00	\$337.00
9/0 x 6/8	3	\$361.00	\$428.00	\$421.00
10/0 x 6/8	3	\$411.00	\$460.00	\$471.00
12/0 x 6/8	3	\$467.00	\$506.00	\$489.00
4/0 x 8/0	2	\$236.00	\$263.00	\$218.00
5/0 x 8/0	2	\$265.00	\$292.00	\$257.00
6/0 x 8/0	2	\$297.00	\$327.00	\$304.00
7/0 x 8/0	2	\$331.00	\$361.00	\$368.00
8/0 x 8/0	2	\$361.00	\$391.00	\$388.00
9/0 x 8/0	3	\$436.00	\$490.00	\$455.00
10/0 x 8/0	3	\$469.00	\$532.00	\$552.00
12/0 x 8/0	3	\$527.00	\$576.00	\$581.00

STOCK ITEMS IN WHITE AREAS - 4:30PM CUT OFF TIME FOR NEXT DAY DELIVERY

003

NON-STOCK ITEMS IN SHADED AREAS - 2:00PM CUT OFF TIME FOR NEXT DAY DELIVERY

- **All non-stock items are non-returnable.**
- For special unlisted sizes add one production day and use the price of the next largest size plus **\$25.00 list per panel.**
- Included in our standard packaged carton are 2 assembled panels, track, hardware and instructions. Note: 3 door units and oversized track will be packed separately.
- Special packaging for easier job-site handling is available for minimum orders of 10 sets.
- For larger quantity orders, please ask your sales representative for lead time / delivery date.

All mirror to be for passage door applications and conform to 16CFR 1201, Cat. II 400# impact test along with ANSI 297.1, VBC 5406 and CPSC 42 FR 1428, Safety Glazing Standard *

* American National Standards Institute • 1430 Broadway, New York, NY 10018
U.S. Consumer Product Safety Commission • Washington DC 20207

* **Product descriptions see page 1**

Los Angeles

Phone: 909-879-8730

Fax: 909-879-8705

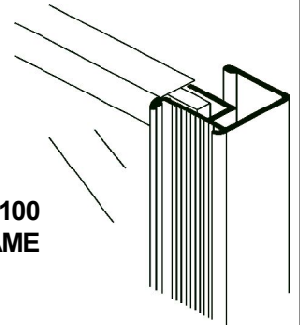


9/5/17
Mirror Wardrobe Doors
Page 4

ABS - AMERICAN BUILDING SUPPLY, INC.

HOME DECORATOR SERIES 2100 BI-PASS MIRROR WARDROBE DOORS NARROW ALUMINUM FRAME

2100
FRAME



SIZE	NUMBER OF PANELS	BRIGHT WHITE	BRIGHT SILVER	ADD FOR POLAR WHITE GLASS
4/0 x 6/8	2	\$264.00	\$299.00	\$191.00
5/0 x 6/8	2	\$296.00	\$335.00	\$232.00
6/0 x 6/8	2	\$329.00	\$368.00	\$261.00
7/0 x 6/8	2	\$360.00	\$403.00	\$314.00
8/0 x 6/8	2	\$392.00	\$442.00	\$337.00
9/0 x 6/8	3	\$490.00	\$548.00	\$421.00
10/0 x 6/8	3	\$525.00	\$593.00	\$471.00
12/0 x 6/8	3	\$583.00	\$652.00	\$489.00
4/0 x 8/0	2	\$304.00	\$339.00	\$218.00
5/0 x 8/0	2	\$336.00	\$378.00	\$257.00
6/0 x 8/0	2	\$373.00	\$412.00	\$304.00
7/0 x 8/0	2	\$404.00	\$453.00	\$368.00
8/0 x 8/0	2	\$444.00	\$489.00	\$388.00
9/0 x 8/0	3	\$548.00	\$611.00	\$455.00
10/0 x 8/0	3	\$595.00	\$668.00	\$552.00
12/0 x 8/0	3	\$652.00	\$729.00	\$581.00

STOCK ITEMS IN WHITE AREAS - 4:30PM CUT OFF TIME FOR NEXT DAY DELIVERY

004

NON-STOCK ITEMS IN SHADED AREAS - 2:00PM CUT OFF TIME FOR NEXT DAY DELIVERY

- **All non-stock items are non-returnable.**
- For special unlisted sizes add one production day and use the price of the next largest size plus **\$25.00 list per panel.**
- Triple track option is available in 16' lengths at **\$125.00 list.**
- Included in our standard packaged carton are 2 assembled panels, track, hardware and instructions.
Note: 3 door units and oversized track will be packed separately.
- Special packaging for easier job-site handling is available for minimum orders of 10 sets.
- For larger quantity orders, please ask your sales representative for lead time / delivery date.

All mirror to be for passage door applications and conform to 16CFR 1201, Cat. II 400# impact test along with ANSI 297.1, VBC 5406 and CPSC 42 FR 1428, Safety Glazing Standard *

* American National Standards Institute • 1430 Broadway, New York, NY 10018

U.S. Consumer Product Safety Commission • Washington DC 20207

* **Product descriptions see page 1**

Los Angeles

Phone: 909-879-8730

Fax: 909-879-8705

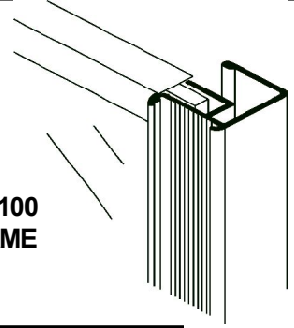


9/5/17
Mirror Wardrobe Doors
Page 5

ABS - AMERICAN BUILDING SUPPLY, INC.

HOME DECORATOR SERIES 2100 BI-PASS MIRROR WARDROBE DOORS NARROW ALUMINUM FRAME

2100
FRAME



SIZE	NUMBER OF PANELS	ANODIZED GOLD	BRIGHT GOLD	ADD FOR POLAR WHITE GLASS
4/0 x 6/8	2	\$200.00	\$312.00	\$191.00
5/0 x 6/8	2	\$354.00	\$346.00	\$232.00
6/0 x 6/8	2	\$393.00	\$385.00	\$261.00
7/0 x 6/8	2	\$433.00	\$420.00	\$314.00
8/0 x 6/8	2	\$475.00	\$453.00	\$337.00
9/0 x 6/8	3	\$585.00	\$573.00	\$421.00
10/0 x 6/8	3	\$637.00	\$614.00	\$471.00
12/0 x 6/8	3	\$707.00	\$681.00	\$489.00
4/0 x 8/0	2	\$359.00	\$352.00	\$218.00
5/0 x 8/0	2	\$400.00	\$392.00	\$257.00
6/0 x 8/0	2	\$443.00	\$431.00	\$304.00
7/0 x 8/0	2	\$487.00	\$470.00	\$368.00
8/0 x 8/0	2	\$533.00	\$511.00	\$388.00
9/0 x 8/0	3	\$665.00	\$640.00	\$455.00
10/0 x 8/0	3	\$715.00	\$693.00	\$552.00
12/0 x 8/0	3	\$791.00	\$759.00	\$581.00

010

NON-STOCK ITEMS IN SHADED AREAS - 2:00PM CUT OFF TIME FOR NEXT DAY DELIVERY

- **All non-stock items are non-returnable.**
- For special unlisted sizes add one production day and use the price of the next largest size plus **\$25.00 list per panel.**
- Triple track option is available in 16' lengths at **\$125.00 list.**
- Included in our standard packaged carton are 2 assembled panels, track, hardware and instructions.
Note: 3 door units and oversized track will be packed separately.
- Special packaging for easier job-site handling is available for minimum orders of 10 sets.
- For larger quantity orders, please ask your sales representative for lead time / delivery date.

All mirror to be for passage door applications and conform to 16CFR 1201, Cat. II 400# impact test along with ANSI 297.1, VBC 5406 and CPSC 42 FR 1428, Safety Glazing Standard *

* American National Standards Institute • 1430 Broadway, New York, NY 10018

U.S. Consumer Product Safety Commission • Washington DC 20207

* **Product descriptions see page 1**

Los Angeles

Phone: 909-879-8730

Fax: 909-879-8705

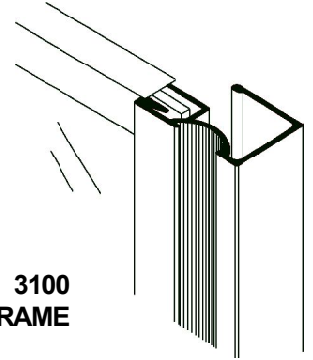


9/5/17
Mirror Wardrobe Doors
Page 6

ABS - AMERICAN BUILDING SUPPLY, INC.

HOME DESIGNER SERIES 3100 BI-PASS MIRROR WARDROBE DOORS WIDE ALUMINUM FRAME

3100
FRAME



SIZE	NUMBER OF PANELS	ANODIZED GOLD	BRIGHT WHITE	BRIGHT SILVER	ADD FOR POLAR WHITE GLASS
4/0 x 6/8	2	\$340.00	\$285.00	\$320.00	\$191.00
5/0 x 6/8	2	\$381.00	\$320.00	\$359.00	\$232.00
6/0 x 6/8	2	\$417.00	\$347.00	\$386.00	\$261.00
7/0 x 6/8	2	\$456.00	\$377.00	\$419.00	\$314.00
8/0 x 6/8	2	\$504.00	\$415.00	\$461.00	\$337.00
9/0 x 6/8	3	\$621.00	\$516.00	\$574.00	\$421.00
10/0 x 6/8	3	\$671.00	\$556.00	\$618.00	\$471.00
12/0 x 6/8	3	\$752.00	\$618.00	\$687.00	\$489.00
4/0 x 8/0	2	\$368.00	\$321.00	\$367.00	\$218.00
5/0 x 8/0	2	\$418.00	\$365.00	\$412.00	\$257.00
6/0 x 8/0	2	\$457.00	\$391.00	\$446.00	\$304.00
7/0 x 8/0	2	\$504.00	\$429.00	\$487.00	\$368.00
8/0 x 8/0	2	\$551.00	\$470.00	\$523.00	\$388.00
9/0 x 8/0	3	\$680.00	\$587.00	\$663.00	\$455.00
10/0 x 8/0	3	\$742.00	\$639.00	\$719.00	\$552.00
12/0 x 8/0	3	\$819.00	\$698.00	\$777.00	\$581.00

005

NON-STOCK ITEMS IN SHADED AREAS - 2:00PM CUT OFF TIME FOR NEXT DAY DELIVERY

- **All non-stock items are non-returnable.**
- For special unlisted sizes add one production day and use the price of the next largest size plus **\$25.00 list per panel.**
- Triple track option is available in 16' lengths at **\$125.00 list.**
- Included in our standard packaged carton are 2 assembled panels, track, hardware and instructions.
Note: 3 door units and oversized track will be packed separately.
- Special packaging for easier job-site handling is available for minimum orders of 10 sets.
- For larger quantity orders, please ask your sales representative for lead time / delivery date.

All mirror to be for passage door applications and conform to 16CFR 1201, Cat. II 400# impact test along with ANSI 297.1, VBC 5406 and CPSC 42 FR 1428, Safety Glazing Standard *

* American National Standards Institute • 1430 Broadway, New York, NY 10018
U.S. Consumer Product Safety Commission • Washington DC 20207

* **Product descriptions see page 1**

Los Angeles

Phone: 909-879-8730

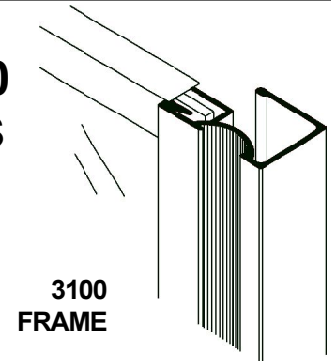
Fax: 909-879-8705



9/5/17
Mirror Wardrobe Doors
Page 7

ABS - AMERICAN BUILDING SUPPLY, INC.

HOME DECORATOR SERIES 3100 BI-PASS MIRROR WARDROBE DOORS WIDE ALUMINUM FRAME



SIZE	NUMBER OF PANELS	BRIGHT GOLD	BRUSH NICKEL	BLACK	ADD FOR POLAR WHITE GLASS
4/0 x 6/8	2	\$326.00	\$326.00	\$317.00	\$191.00
5/0 x 6/8	2	\$366.00	\$363.00	\$352.00	\$232.00
6/0 x 6/8	2	\$398.00	\$398.00	\$382.00	\$261.00
7/0 x 6/8	2	\$432.00	\$433.00	\$414.00	\$314.00
8/0 x 6/8	2	\$476.00	\$476.00	\$456.00	\$337.00
9/0 x 6/8	3	\$592.00	\$593.00	\$568.00	\$421.00
10/0 x 6/8	3	\$638.00	\$638.00	\$612.00	\$471.00
12/0 x 6/8	3	\$709.00	\$709.00	\$705.00	\$489.00
4/0 x 8/0	2	\$377.00	\$371.00	\$361.00	\$218.00
5/0 x 8/0	2	\$426.00	\$416.00	\$405.00	\$257.00
6/0 x 8/0	2	\$457.00	\$451.00	\$438.00	\$304.00
7/0 x 8/0	2	\$500.00	\$493.00	\$479.00	\$368.00
8/0 x 8/0	2	\$542.00	\$530.00	\$514.00	\$388.00
9/0 x 8/0	3	\$680.00	\$670.00	\$645.00	\$455.00
10/0 x 8/0	3	\$738.00	\$727.00	\$706.00	\$552.00
12/0 x 8/0	3	\$805.00	\$787.00	\$764.00	\$581.00

006

NON-STOCK ITEMS IN SHADED AREAS - 2:00PM CUT OFF TIME FOR NEXT DAY DELIVERY

- **All non-stock items are non-returnable.**
- For special unlisted sizes add one production day and use the price of the next largest size plus **\$25.00 list per panel.**
- Triple track option is available in 16' lengths at **\$125.00 list. Not available in brushed nickel or black.**
- Included in our standard packaged carton are 2 assembled panels, track, hardware and instructions. Note: 3 door units and oversized track will be packed separately.
- Special packaging for easier job-site handling is available for minimum orders of 10 sets.
- For larger quantity orders, please ask your sales representative for lead time / delivery date.

All mirror to be for passage door applications and conform to 16CFR 1201, Cat. II 400# impact test along with ANSI 297.1, VBC 5406 and CPSC 42 FR 1428, Safety Glazing Standard *

* American National Standards Institute • 1430 Broadway, New York, NY 10018
U.S. Consumer Product Safety Commission • Washington DC 20207

* **Product descriptions see page 1**

Los Angeles

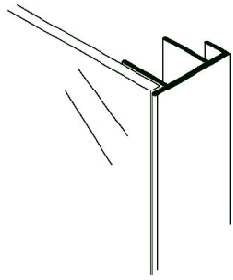
Phone: 909-879-8730

Fax: 909-879-8705



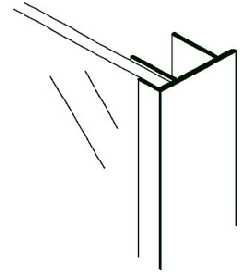
9/5/17
Mirror Wardrobe Doors
Page 8

ABS - AMERICAN BUILDING SUPPLY, INC.



Frameless

HOME DESIGNER SERIES 4000 BI-PASS MIRROR WARDROBE DOORS STEEL FRAMELESS & THINLINE



Thinline

SIZE	NUMBER OF PANELS	FRAMELESS GOLD OR WHITE	FRAMELESS BEVEL GOLD OR WHITE	THINLINE GOLD OR WHITE	ADD FOR POLAR WHITE GLASS
4/0 x 6/8	2	\$236.00	\$294.00	\$253.00	\$191.00
5/0 x 6/8	2	\$260.00	\$328.00	\$290.00	\$232.00
6/0 x 6/8	2	\$298.00	\$362.00	\$326.00	\$261.00
7/0 x 6/8	2	\$314.00	\$396.00	\$358.00	\$314.00
8/0 x 6/8	2	\$358.00	\$427.00	\$380.00	\$337.00
9/0 x 6/8	3	\$448.00	\$548.00	\$492.00	\$421.00
10/0 x 6/8	3	\$460.00	\$582.00	\$526.00	\$471.00
12/0 x 6/8	3	\$526.00	\$627.00	\$578.00	\$489.00
4/0 x 8/0	2	\$261.00	\$331.00	\$295.00	\$218.00
5/0 x 8/0	2	\$293.00	\$376.00	\$327.00	\$257.00
6/0 x 8/0	2	\$331.00	\$408.00	\$364.00	\$304.00
7/0 x 8/0	2	\$372.00	\$458.00	\$409.00	\$368.00
8/0 x 8/0	2	\$406.00	\$482.00	\$434.00	\$388.00
9/0 x 8/0	3	\$496.00	\$612.00	\$555.00	\$455.00
10/0 x 8/0	3	\$541.00	\$673.00	\$590.00	\$552.00
12/0 x 8/0	3	\$597.00	\$708.00	\$649.00	\$581.00

007

NON-STOCK ITEMS IN SHADED AREAS - 2:00PM CUT OFF TIME FOR NEXT DAY DELIVERY

- **All non-stock items are non-returnable.**
- For special unlisted sizes add one production day and use the price of the next largest size plus **\$35.00 list per panel.**
- Mirrored fascia available in 8' lengths at **\$50.00 list.**
- Bevel not available in special widths.
- Included in our standard packaged carton are 2 assembled panels, track, hardware and instructions.
Note: 3 door units and oversized track will be packed separately.
- Special packaging for easier job-site handling is available for minimum orders of 10 sets.
- Beveled mirror: 1/2" bevel cat II. (long sides only) **Bevel polar white glass not available.**
- For larger quantity orders, please ask your sales representative for lead time / delivery date.

All mirror to be for passage door applications and conform to 16 CFR 1201, Cat. II 400# impact test along with ANSI 297.1, VBC 5406 and CPSC 42 FR 1428, Safety Glazing Standards. *

* American National Standards Institute • 1430 Broadway, New York, NY 10018

U.S. Consumer Product Safety Commission • Washington DC 20207

* **Product descriptions see page 1**

Los Angeles

Phone: 909-879-8730

Fax: 909-879-8705

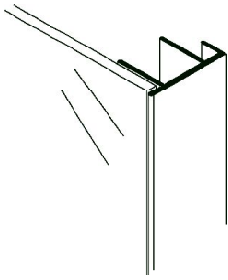


9/5/17

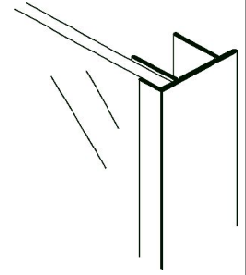
Mirror Wardrobe Doors

Page 9

ABS - AMERICAN BUILDING SUPPLY, INC.



HOME ARCHITECT SERIES 4100 BI-PASS MIRROR WARDROBE DOORS ALUMINUM FRAMELESS & THINLINE



Frameless

Thinline

SIZE	NUMBER OF PANELS	*FRAMELESS BRIGHT GOLD OR BRIGHT SILVER	FRAMELESS BEVEL BRIGHT GOLD OR BRIGHT SILVER	THINLINE BRIGHT GOLD OR BRIGHT SILVER	ADD FOR POLAR WHITE GLASS
4/0 x 6/8	2	\$314.00	\$387.00	\$348.00	\$191.00
5/0 x 6/8	2	\$346.00	\$427.00	\$392.00	\$232.00
6/0 x 6/8	2	\$391.00	\$471.00	\$431.00	\$261.00
7/0 x 6/8	2	\$410.00	\$516.00	\$475.00	\$314.00
8/0 x 6/8	2	\$462.00	\$556.00	\$520.00	\$337.00
9/0 x 6/8	3	\$581.00	\$701.00	\$641.00	\$421.00
10/0 x 6/8	3	\$599.00	\$756.00	\$695.00	\$471.00
12/0 x 6/8	3	\$688.00	\$828.00	\$775.00	\$489.00
4/0 x 8/0	2	\$364.00	\$458.00	\$414.00	\$218.00
5/0 x 8/0	2	\$405.00	\$508.00	\$461.00	\$257.00
6/0 x 8/0	2	\$449.00	\$541.00	\$509.00	\$304.00
7/0 x 8/0	2	\$501.00	\$602.00	\$558.00	\$368.00
8/0 x 8/0	2	\$538.00	\$644.00	\$600.00	\$388.00
9/0 x 8/0	3	\$668.00	\$812.00	\$756.00	\$455.00
10/0 x 8/0	3	\$727.00	\$884.00	\$806.00	\$552.00
12/0 x 8/0	3	\$800.00	\$958.00	\$893.00	\$581.00

*STOCK IS BRIGHT SILVER ONLY

008

STOCK ITEMS IN WHITE AREA - 4:30PM CUT OFF TIME FOR NEXT DAY DELIVERY

NON-STOCK ITEMS IN SHADED AREAS - 2:00PM CUT OFF TIME FOR NEXT DAY DELIVERY

- **All non-stock items are non-returnable.**
- For special unlisted sizes add one production day and use the price of the next largest size plus **\$35.00 list per panel.**
- Mirrored fascia available in 8' lengths at **\$50.00 list.**
- Triple track option is available in 16' lengths at **\$125.00 list.**
- Bevel not available in special widths.
- Included in our standard packaged carton are 2 assembled panels, track, hardware and instructions. Note: 3 door units and oversized track will be packed separately.
- Special packaging for easier job-site handling is available for minimum orders of 10 sets.
- Beveled mirror: 1/2" bevel cat II. (long sides only) **Bevel polar white glass not available.**
- For larger quantity orders, please ask your sales representative for lead time / delivery date.

All mirror to be for passage door applications and conform to 16 CFR 1201, Cat. II 400# impact test along with ANSI 297.1, VBC 5406 and CPSC 42 FR 1428, Safety Glazing Standards. *

* American National Standards Institute • 1430 Broadway, New York, NY 10018

U.S. Consumer Product Safety Commission • Washington DC 20207

* **Product descriptions see page 1**

Los Angeles

Phone: 909-879-8730

Fax: 909-879-8705



9/5/17

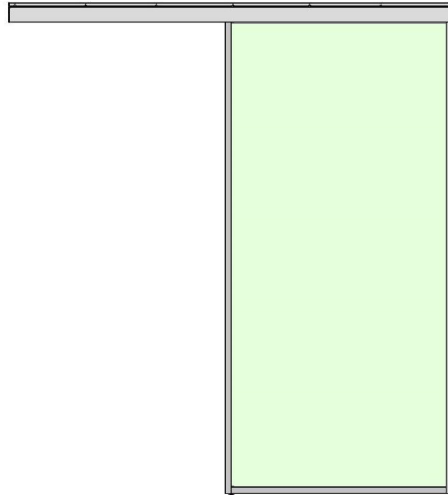
Mirror Wardrobe Doors

Page 10

ABS - AMERICAN BUILDING SUPPLY, INC.

ROOM DIVIDER SERIES CONTEMPORARY BARN DOORS ALUMINUM FRAME

WHITE LAMI



Species : Satin Aluminum
Thickness : 1-5/16"
Panels : 1/4" White Lami
Stiles : 1"
Top Rail : 1"
Bottom Rail : 1"

SIZE	SATIN ALUMINUM FRAME
	WHITE LAMI GLASS
2/0 x 6/8	\$905.00
2/4 x 6/8	\$926.00
2/6 x 6/8	\$934.00
2/8 x 6/8	\$938.00
3/0 x 6/8	\$942.00
3/6 x 6/8	\$1,152.00
2/0 x 7/0	\$917.00
2/4 x 7/0	\$942.00
2/6 x 7/0	\$951.00
2/8 x 7/0	\$955.00
3/0 x 7/0	\$959.00
3/6 x 7/0	\$1,168.00
2/0 x 8/0	\$934.00
2/4 x 8/0	\$951.00
2/6 x 8/0	\$955.00
2/8 x 8/0	\$963.00
3/0 x 8/0	\$967.00
3/6 x 8/0	\$1,173.00

010

STOCK ITEMS IN WHITE AREA - 4:30 PM CUT OFF TIME FOR NEXT DAY DELIVERY

NON-STOCK ITEMS IN SHADED AREAS - ALLOW 4 WEEKS LEAD TIME

- Track includes integrated satin aluminum fascia with end caps.
- For unlisted sizes - please call for quote.

• *Product descriptions see page 1*

Los Angeles

Phone: 909-879-8730

Fax: 909-879-8705



9/5/17
 Mirror Wardrobe Doors
 Page 11

ABS - AMERICAN BUILDING SUPPLY, INC.

NET FINISHED OPENING SPECIFICATIONS BI-PASS WARDROBE DOORS

SIZE	NUMBER OF PANELS	NET FINISHED OPENING	
		WIDTH	HEIGHT
4/0 X 6/8	2	47"	80-1/2"
5/0 X 6/8	2	59"	80-1/2"
6/0 X 6/8	2	71"	80-1/2"
7/0 X 6/8	2	83"	80-1/2"
8/0 X 6/8	2	95"	80-1/2"
9/0 X 6/8	3	106"	80-1/2"
10/0 X 6/8	3	118"	80-1/2"
12/0 X 6/8	3	142"	80-1/2"
4/0 X 8/0	2	47"	96"
5/0 X 8/0	2	59"	96"
6/0 X 8/0	2	71"	96"
7/0 X 8/0	2	83"	96"
8/0 X 8/0	2	95"	96"
9/0 X 8/0	3	106"	96"
10/0 X 8/0	3	118"	96"
12/0 X 8/0	3	142"	96"

01

ADJUSTABLE IN HEIGHT

6/8 - 79-3/4" TO 81"

8/0 - 95-1/4" TO 96"

ROOM DIVIDERS (BARN DOORS)

SIZE	NET FINISHED OPENING	
	WIDTH	HEIGHT
2/0 X 6/8	24"	80"
2/4 x 6/8	28"	80"
2/6 x 6/8	30"	80"
2/8 x 6/8	32"	80"
3/0 X 6/8	36"	80"
3/6 x 6/8	42"	80"
2/0 X 7/0	24"	84"
2/4 x 7/0	28"	84"
2/6 x 7/0	30"	84"
2/8 x 7/0	32"	84"
3/0 X 7/0	36"	84"
3/6 x 7/0	42"	84"
2/0 X 8/0	24"	96"
2/4 x 8/0	28"	96"
2/6 x 8/0	30"	96"
2/8 x 8/0	32"	96"
3/0 X 8/0	36"	96"
3/6 x 8/0	42"	96"

02

Los Angeles

Phone: 909-879-8730

Fax: 909-879-8705

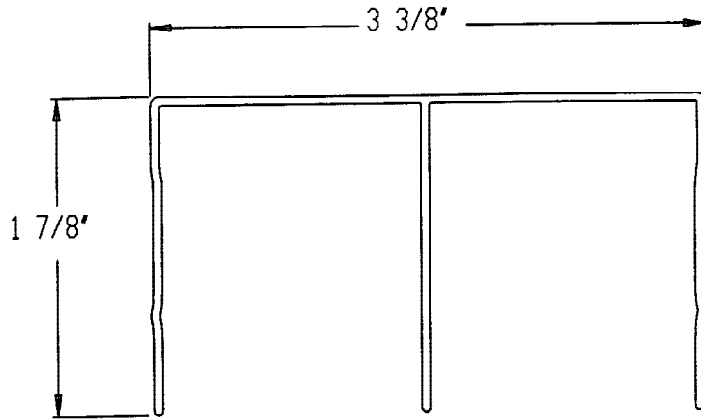


9/5/17

Mirror Wardrobe Doors

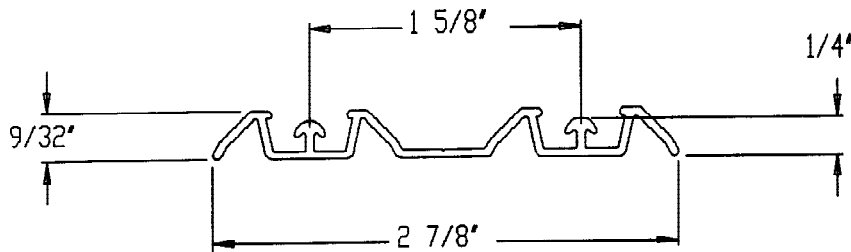
Page 12

ABS - AMERICAN BUILDING SUPPLY, INC.



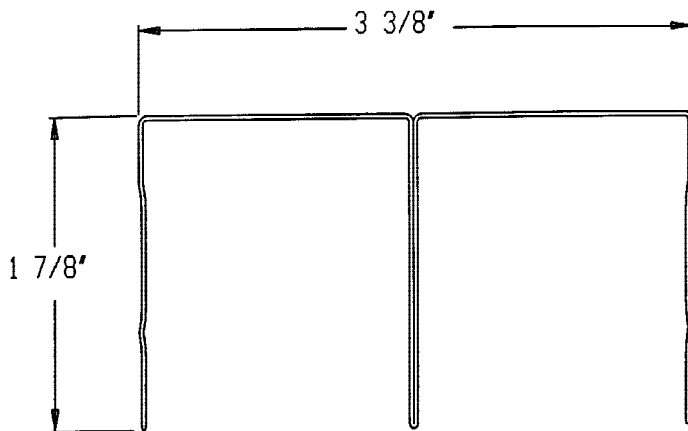
ALUMINUM SYSTEMS

TOP TRACK



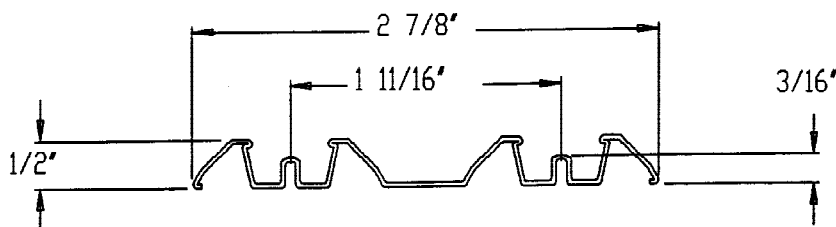
BOTTOM TRACK

NOTE: BOTTOM TRACK WIDTH WITH TRIPLE TRACK = 4-11/16"
TOP TRACK WIDTH WITH TRIPLE TRACK = 5-1/16"



STEEL SYSTEMS

TOP TRACK



BOTTOM TRACK

Los Angeles

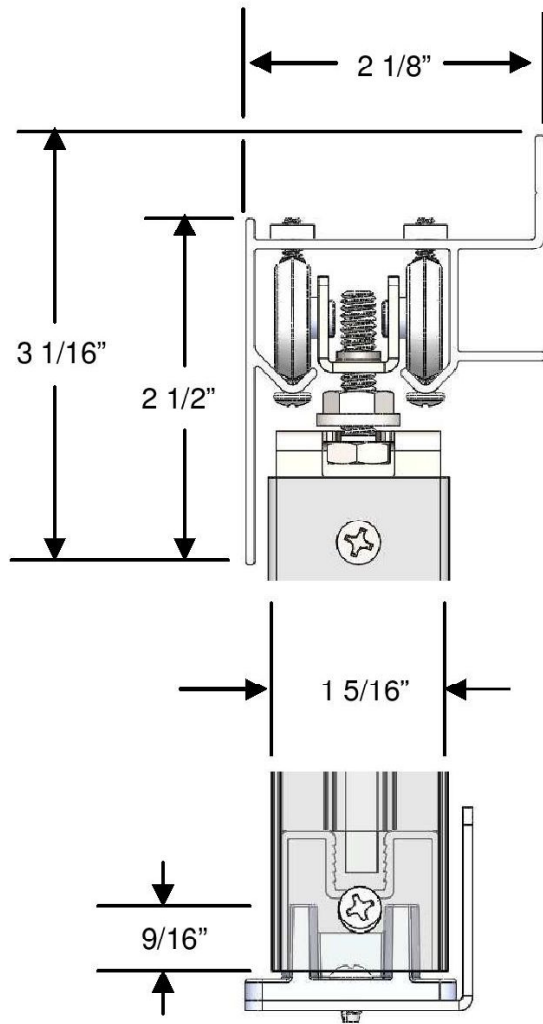
Phone: 909-879-8730

Fax: 909-879-8705



9/5/17
Mirror Wardrobe Doors
Page 13

ROOM DIVIDER SYSTEM



TOP TRACK

FLOOR GUIDE



ABS - AMERICAN BUILDING SUPPLY, INC.

INSTALLATION INSTRUCTIONS

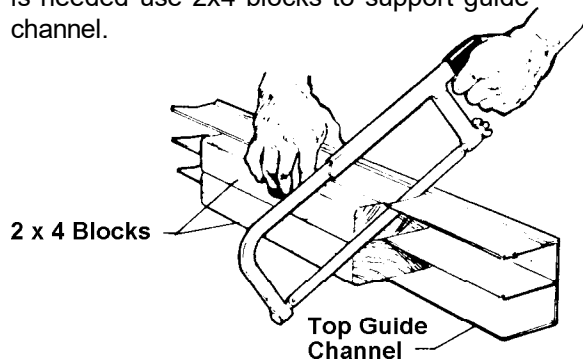
1. FIT DOORS TO OPENINGS

WIDTH		DOOR WIDTHS				HEIGHTS	
FINISHED OPENING	NUMBER DOORS	1000 1500	2100	3100	4000 4100	FINISHED OPENING	DOOR HEIGHT
47"	2	24"	24-1/2"	24-1/2"	24"	80-1/2"	78-1/8" (6/8)
59"	2	30"	30-1/2"	30-1/2"	30"	96"	93-7/8" (8/0)
71"	2	36"	36-1/2"	36-1/2"	36"	(1000, 1500, 2100, 3100)	
83"	2	42"	42-1/2"	42-1/2"	42"		
95"	2	48"	48-1/2"	48-1/2"	48"	80-1/2"	78" (6/8)
106"	3	36"	36-1/2"	36-1/2"	36"	96"	93-1/2" (8/0)
118"	3	42"	42-1/2"	42-1/2"	42"	(4000, 4100)	
142"	3	48"	48-1/2"	48-1/2"	48"		

01

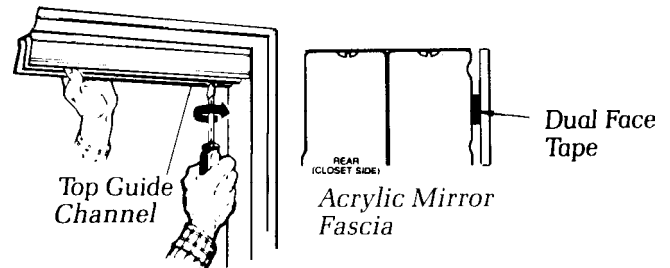
2. TRIM GUIDE CHANNEL AND BOTTOM TRACK

Cut Top Guide Channel and Bottom Track to exact opening width using a fine tooth hacksaw (32 teeth per inch blade). Steel channel and track are pre-cut to standard sizes if special size is needed use 2x4 blocks to support guide channel.



3. INSTALL TOP GUIDE CHANNEL

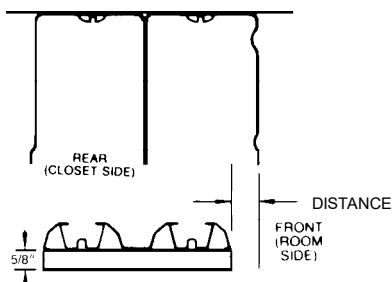
(OPTIONAL MIRRORED FASCIA UP TO 8")
Locate channel flush with front edge of opening of door jamb.



4. INSTALL THRESHOLD

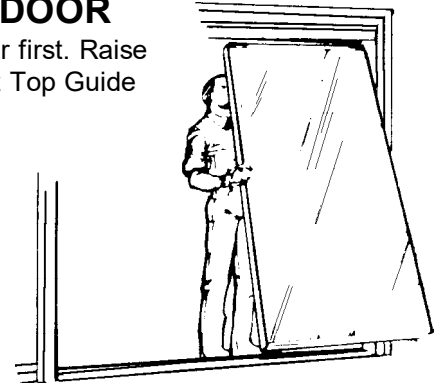
Locate Bottom Track distance as shown per series from front edge of jamb. If carpet is used, 5/8" wood riser is recommended.

Distance	Series
3/4"	1000 / 1500
3/4"	2100
3/4"	3100
3/4"	4000 / 4100



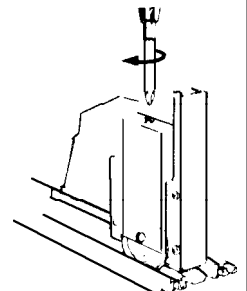
5. INSTALL DOOR

Install rear door first. Raise door and insert Top Guide Brackets into Top Guide channel. Swing bottom of door back over threshold and lower bottom roller wheels onto track.



6. ADJUST DOORS

Adjust doors as shown to align side of doors to jambs and to clear high points of threshold



7. INSTALL PULL

On 4000 and 4100 Series apply pulls using double backed tape to desired position.

Los Angeles

Phone: 909-879-8730

Fax: 909-879-8705



9/5/17

Mirror Wardrobe Doors

Page 15