



SLIDING BARN DOOR HARDWARE



PREMIUM SLIDING BARN DOOR HARDWARE

SET DESIGN – WOOD TYPE 1 (available with optional soft close)

PREMSLIDE WD T1 06 SS shown with Encore 6540 door by Millennium



BRUSHED STAINLESS STEEL
shown with optional soft close mechanism



DARK BRONZE

PREMSLIDE WD T1 08 DB shown with Encore 6540 door by Millennium

Kit Includes:

ITEM	QTY (EA.)
Track with Wall Brackets	1
Hangers WD T1 CARRIER SS/DB*	2
Track Stops PREMSTOP03 SS/DB*	2
Door Bottom Guide PREMFLGUIDE03 SS/BLK*	1
Wall Mount Channel Door Guide PREMFLGUIDE12 BLK/GRY*	1
Installation Instructions	1

*additional parts available for purchase if needed

Features:

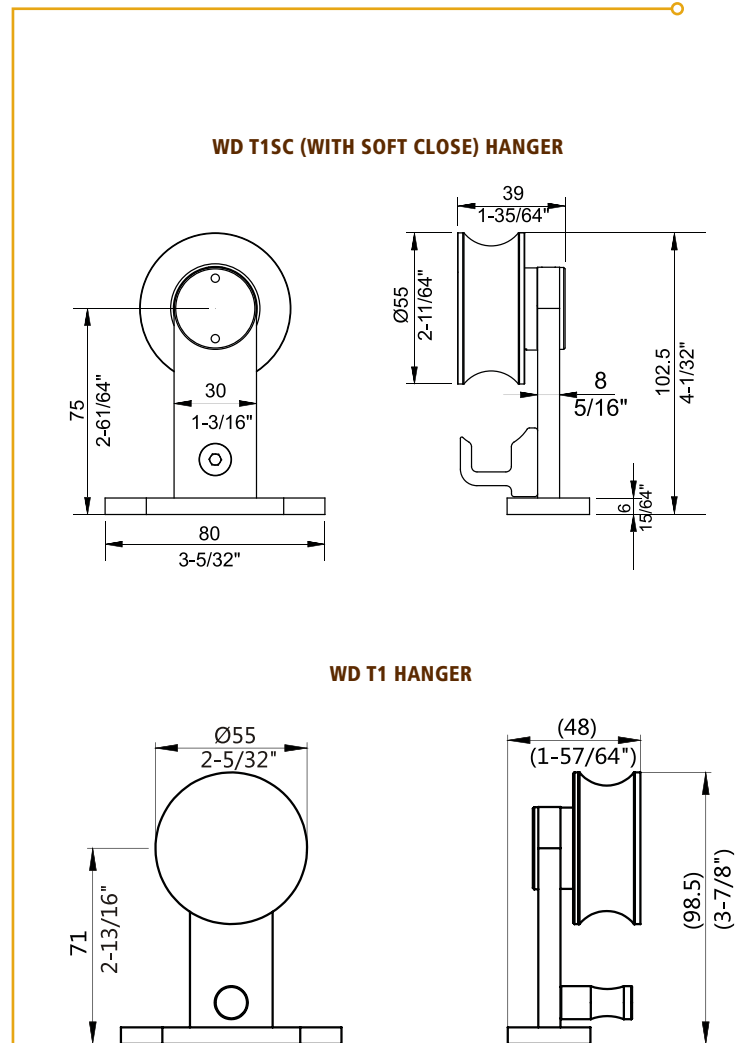
- Designed for wood doors 1-3/4" & 1-3/8" thick
- Top mounted hardware
- Door weight up to **176 lbs.** per door
- Materials: 304 stainless steel track, 304 stainless steel hangers with nylon coated rollers
- Product standards: designed and tested to follow ANSI Grade 1 Standards
- Finishes available: brushed stainless steel, dark bronze
- Soft close is available on stainless steel version
- 10-year limited warranty
- 2-year warranty on soft close mechanism

Size Guide:

DOOR TYPE	SET TYPE	SIZE	FINISH	TRACK LENGTH	DOOR WIDTH
WD	T1	06	SS	78-3/4"	36"
WD	T1	08	SS	98-7/16"	48"
WD	T1	06	DB	78-3/4"	36"
WD	T1	08	DB	98-7/16"	48"
WD	T1SC	06	SS	78-3/4"	36"
WD	T1SC	08	SS	98-7/16"	48"

Stocked Product:

ITEM	FINISH
PREMSLIDEWDT106	Brushed Stainless Steel
PREMSLIDEWDT106	Dark Bronze
PREMSLIDEWDT108	Brushed Stainless Steel
PREMSLIDEWDT108	Dark Bronze
PREMSLIDEWDT1SC06	Brushed Stainless Steel
PREMSLIDEWDT1SC08	Brushed Stainless Steel
WDT1CARRIER SS	Brushed Stainless Steel
WDT1CARRIER DB	Dark Bronze
PREMFLGUIDE03 BLK	Black
PREMFLGUIDE03 SS	Brushed Stainless Steel
PREMFLGUIDE12 BLK	Black
PREMFLGUIDE12 GRY	Gray
PREMSTOP03 SS	Brushed Stainless Steel
PREMSTOP03 DB	Dark Bronze



PREMIUM SLIDING BARN DOOR HARDWARE

SET DESIGN – WOOD TYPE 2 & 4

TYPE 2 PREMSLIDE WD T2 06 SS shown with Encore 6540 door by Millennium



BRUSHED STAINLESS STEEL



BRUSHED STAINLESS STEEL

TYPE 4 PREMSLIDE WD T4 08 SS shown with Encore 6540 door by Millennium

Kit Includes:

ITEM	QTY (EA.)
Track with Wall Brackets (Stainless Steel)	1
Hangers (Stainless Steel)	2
Track Stops (Stainless Steel) WD T2: PREMSTOP07 SS* WD T4: PREMSTOP24 SS*	2
Door Bottom Guide (Stainless Steel) PREMFLGUIDE03 SS*	1
Wall Mount Channel Door Guide PREMFLGUIDE12 BLK*	1
Installation Instructions	1

*additional parts available for purchase if needed

Features:

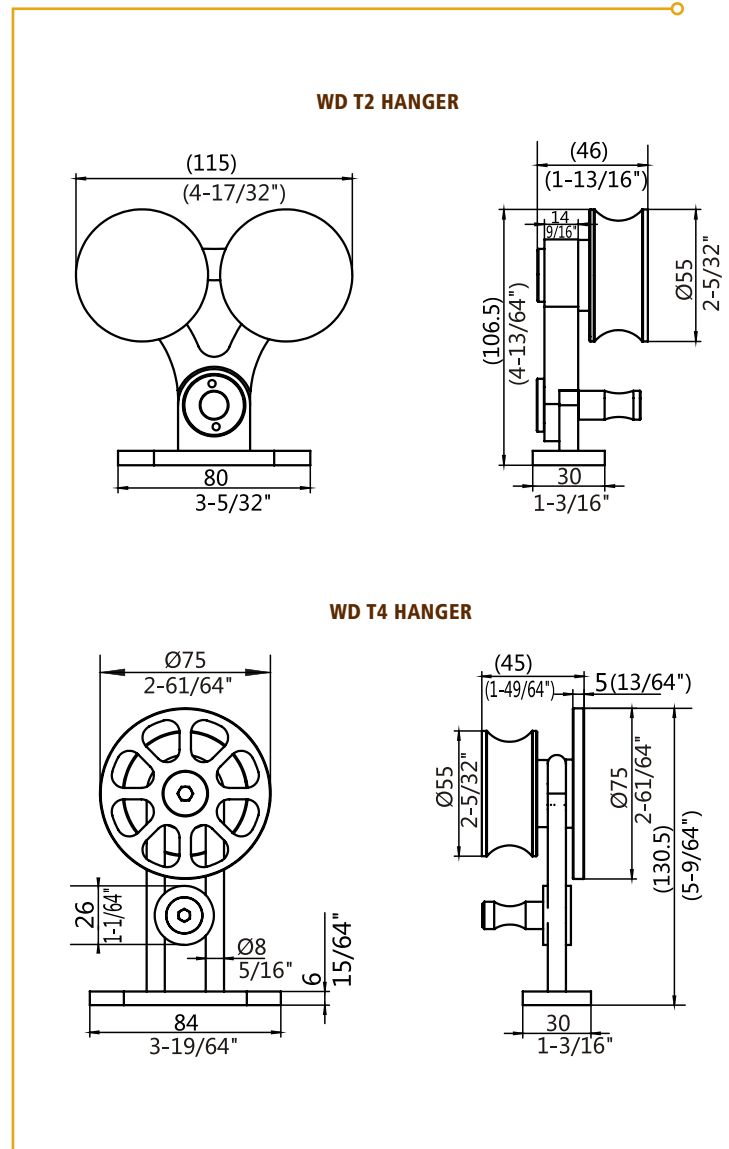
- Designed for wood doors 1-3/4" & 1-3/8" thick
- Top mounted hardware
- WD T2 Door weight up to **242 lbs.** per door
- WD T4 Door weight up to **176 lbs.** per door
- Materials: 304 stainless steel track, 304 stainless steel hangers with nylon coated rollers
- Product standards: designed and tested to follow ANSI Grade 1 Standards
- Finishes available: brushed stainless steel
- 10-year limited warranty

Size Guide:

DOOR TYPE	SET TYPE	SIZE	FINISH	TRACK LENGTH	DOOR WIDTH
WD	T2	06	SS	78-3/4"	36"
WD	T2	08	SS	98-7/16"	48"
WD	T4	06	SS	78-3/4"	36"
WD	T4	08	SS	98-7/16"	48"

Stocked Product:

ITEM	FINISH
PREMSLIDEWDT206	Brushed Stainless Steel
PREMSLIDEWDT208	Brushed Stainless Steel
PREMSLIDEWDT406	Brushed Stainless Steel
PREMSLIDEWDT408	Brushed Stainless Steel
PREMFLGUIDE03 BLK	Black
PREMFLGUIDE03 SS	Brushed Stainless Steel
PREMFLGUIDE12 BLK	Black
PREMFLGUIDE12 GRY	Gray
PREMSTOP07 SS	Brushed Stainless Steel
PREMSTOP24 SS	Brushed Stainless Steel



PREMIUM SLIDING BARN DOOR HARDWARE

SET DESIGN – WOOD TYPE 5

PREMSLIDE WD T5 08 SS shown with Encore 6540 door by Millennium



BRUSHED STAINLESS STEEL



DARK BRONZE

PREMSLIDE WD T5 06 DB shown with Encore 6540 door by Millennium

Kit Includes:

ITEM	QTY (EA.)
Track with Wall Brackets (Stainless Steel)	1
Hangers (Stainless Steel) WDT5CARRIER SS/DB*	2
Track Stops (Stainless Steel) PREMSTOPO3 SS/DB*	2
Door Bottom Guide (Stainless Steel) PREMFLGUIDE03 SS/BLK*	1
Wall Mount Channel Door Guide PREMFLGUIDE12 BLK/GRY*	1
Installation Instructions	1

*additional parts available for purchase if needed

Features:

- Designed for wood doors 1-3/4" & 1-3/8" thick
- Top mounted hardware
- Door weight up to **198 lbs.** per door
- Materials: 304 stainless steel track, 304 stainless steel hangers with nylon coated rollers
- Product standards: designed and tested to follow ANSI Grade 1 Standards
- Finishes available: brushed stainless steel, dark bronze
- 10-year limited warranty

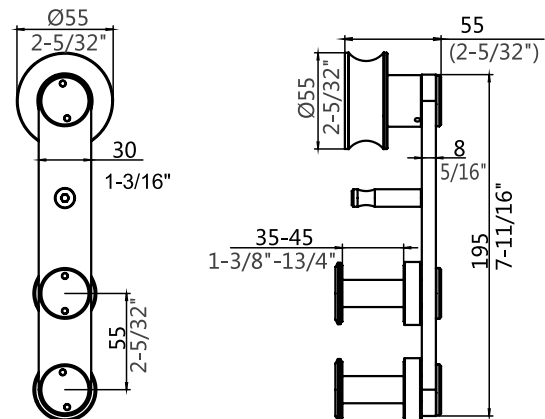
Size Guide:

DOOR TYPE	SET TYPE	SIZE	FINISH	TRACK LENGTH	DOOR WIDTH
WD	T5	06	SS	78-3/4"	36"
WD	T5	08	SS	98-7/16"	48"
WD	T5	06	DB	78-3/4"	36"
WD	T5	08	DB	98-7/16"	48"

Stocked Product:

ITEM	FINISH
PREMSLIDEWDT506	Brushed Stainless Steel
PREMSLIDEWDT506	Dark Bronze
PREMSLIDEWDT508	Brushed Stainless Steel
PREMSLIDEWDT508	Dark Bronze
WDT5CARRIER SS	Brushed Stainless Steel
WDT5CARRIER DB	Dark Bronze
PREMSTOPO3 SS	Brushed Stainless Steel
PREMSTOPO3 DB	Dark Bronze
PREMFLGUIDE03 SS	Brushed Stainless Steel
PREMFLGUIDE03 BLK	Black
PREMFLGUIDE12 GRY	Gray
PREMFLGUIDE12 BLK	Black

WD T5 HANGER



AMERICAN RUSTIC SLIDING BARN DOOR HARDWARE

MINI-INDUSTRIAL

Mini-Industrial shown with Ovation 7648 by Millennium Doors



FLAT BLACK



SATIN NICKEL

Mini Industrial shown with Encore 6540 door by Millennium

Kit Includes:

ITEM	QTY (EA.)
Track (pre-drilled for Mounting Hardware)	1
Hangers MININDCARRIER BLK/SN	2
Stops MSTOPPER BLK/SN	2
Anti-Jump Discs MANTIJUMPDISC BLK/GRY	2
Floor Mounted Internal Guide PREMFLGUIDE02 BLK/GRY	1
Wall Mount Channel Door Guide PREMFLGUIDE12 BLK/GRY	1
Coupler MINKITCOUPLER BLK/SN	1
Installation Instructions	1

Features:

- Designed for wood doors 1-3/4" & 1-3/8" thick
- Top mounted hardware
- Door weight up to **286 lbs.** per door
- Finishes available: flat black or satin nickel
- Wheel Type: nylon
- Track and hardware kit is for single door
- Hangers mount to the face of the door
- Product standards: designed and tested to follow ANSI Grade 1 Standards
- 2-year limited warranty
- 1-year limited warranty on finish

36" doors – use 80" track kit

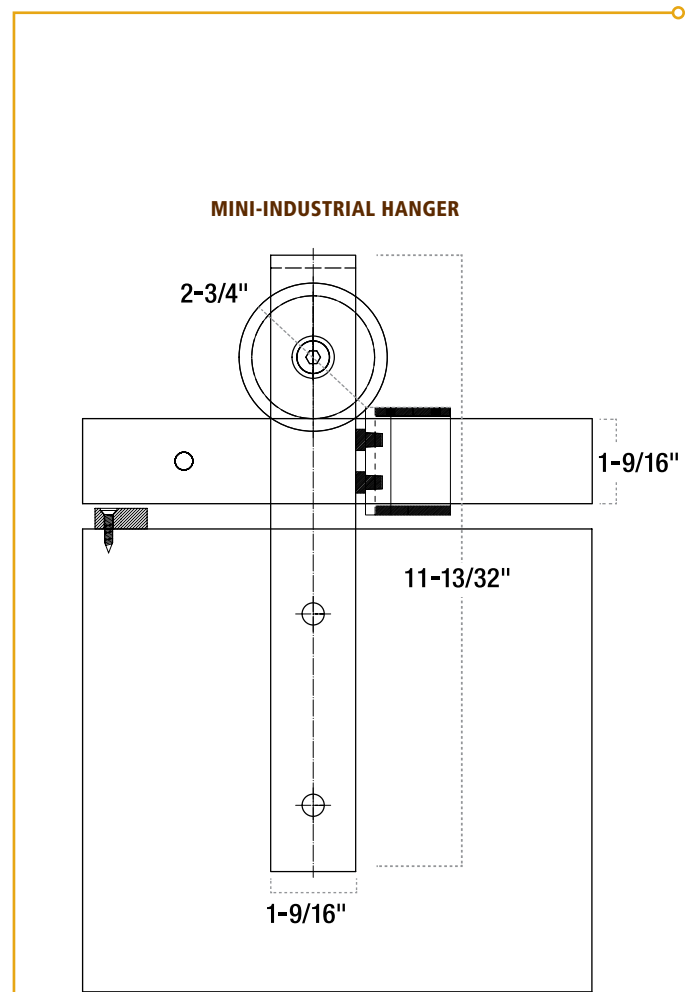
48" doors – use 104" track kit

Pair doors – use two kits along with track coupler

Note: if installing into drywall, track will require proper reinforcement inside the wall or on the surface of the wall

Stocked Product:

ITEM	FINISH
MININDKIT – 80" length	Black
MININDKIT – 104" length	Black
MININDKIT SN – 80" length	Satin Nickel
MININDKIT SN – 104" length	Satin Nickel
MININDCARRIER BLK	Black
MININDCARRIER SN	Satin Nickel
MSTOPPER BLK	Black
MSTOPPER SN	Satin Nickel
MINKITCOUPLER BLK	Black
MINKITCOUPLER SN	Satin Nickel
MANTIJUMPDISC BLK	Black
MANTIJUMPDISC GRY	Gray
PREMFLGUIDE02 BLK	Black
PREMFLGUIDE02 GRY	Gray
PREMFLGUIDE12 BLK	Black
PREMFLGUIDE12 GRY	Gray



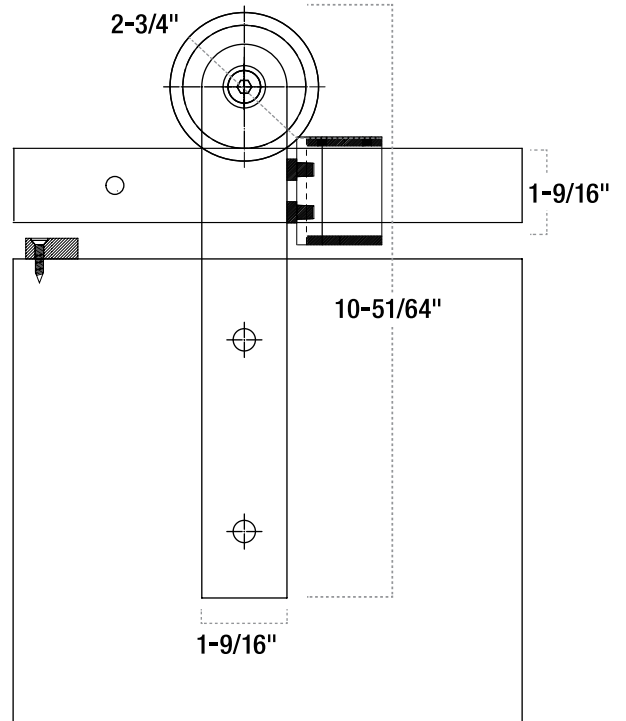
AMERICAN RUSTIC SLIDING BARN DOOR HARDWARE

MINI-MODERN



Mini-Modern shown with Encore 6616 by Millennium Doors
MINI-MODERN HANGER

MINI-MODERN HANGER



Kit Includes:

ITEM	QTY (EA.)
Hangers MINMODCARRIER SLVR	2
Stops MSTOPPER SLVR	2
Anti-Jump Discs MANTIJUMPDISC GRY	2
Floor Mounted Internal Guide PREMFLGUIDE02 BLK	1
Wall Mount Channel Door Guide PREMFLGUIDE12 BLK	1
Installation Instructions	1

36" doors – use 80" track kit
 48" doors – use 104" track kit
 Pair doors – use two kits along with track coupler

Note: if installing into drywall, track will require proper reinforcement inside the wall or on the surface of the wall

Features:

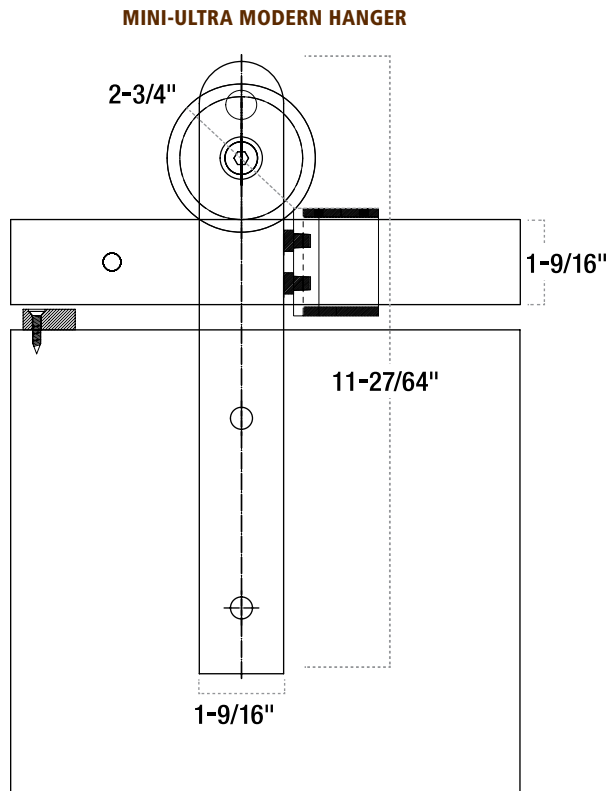
- Designed for wood doors 1-3/4" & 1-3/8" thick
- Door weight up to **286 lbs.** per door
- Finishes available: silver
- Wheel type: nylon
- Track and hardware kit is for single door
- 2-year limited warranty

Stocked Product:

ITEM	FINISH
MINMODKIT – 80" length	Silver
MINMODKIT – 104" length	Silver
MINKITCOUPLER	Silver
MSTANDOFF	Silver
MSTOPPER	Silver
MINMODCARRIER SLVR	Silver
PREMFLGUIDE02 BLK	Black
PREMFLGUIDE02 GRY	Gray
PREMFLGUIDE12 BLK	Black
PREMFLGUIDE12 GRY	Gray

AMERICAN RUSTIC SLIDING BARN DOOR HARDWARE

MINI-ULTRA MODERN



Mini-Ultra Modern shown with Encore 6614 by Millennium Doors

Kit Includes:

ITEM	QTY (EA.)
Hangers MINULTCARRIER BLK	2
Stops MSTOPPER BLK	2
Anti-Jump Discs MANTIJUMPDISC BLK	2
Floor Mounted Internal Guide PREMFLGUIDE02 BLK	1
Wall Mount Channel Door Guide PREMFLGUIDE12 BLK	1
Installation Instructions	1

36" doors – use 80" track kit
 48" doors – use 104" track kit
 Pair doors – use two kits along with track coupler

Note: if installing into drywall, track will require proper reinforcement inside the wall or on the surface of the wall

Features:

- Designed for wood doors 1-3/4" & 1-3/8" thick
- Door weight up to **286 lbs.** per door
- Finishes available: flat black
- Wheel type: nylon
- Track and hardware kit is for single door
- 2-year limited warranty

Stocked Product:

ITEM	FINISH
MINULTMODKIT – 80" length	Black
MINULTMODKIT – 104" length	Black
MINKITCOUPLER	Black
MSTANDOFF	Black
MSTOPPER	Black
MINULTCARRIER BLK	Black
PREMFLGUIDE02 BLK	Black
PREMFLGUIDE02 GRY	Gray
PREMFLGUIDE12 BLK	Black
PREMFLGUIDE12 GRY	Gray

SLIDING BARN DOOR HARDWARE



DESIGNGLIDE™ SOFT-CLOSE BARN DOOR

Features:

- Install in 4 easy steps
- 72" track fits 36"x 80"x 1-3/8" doors
- 84" track fits 42"x 80"x 1-3/8" doors
- Door weight up to **120 lbs.** per door
- Soft-close technology keeps the door from slamming shut
- Special doors or reframing not required
- Versatile hardware works with any style door
- Finishes available: matte black, satin nickel
- Door slab not included
- 5-year limited warranty



Stocked Product:

ITEM	LENGTH	FINISH
DESIGNGLIDEHDWUS1972	72"	Matte Black
DESIGNGLIDEHDWUS1572	72"	Satin Nickel
DESIGNGLIDEHDWUS1584	84"	Satin Nickel

SLIDING BARN DOOR HARDWARE

PULLS



71 HD 03 BLK
9-9/16" H x 1-3/16" W



71 HD 05 BLK/SN
6-7/16" H x 1" W



71 HD 06 BLK
6-1/2" H x 2-1/16" W



71 HD 11 BLK
12-10/16" H x 2-3/8" W x 5/8" D



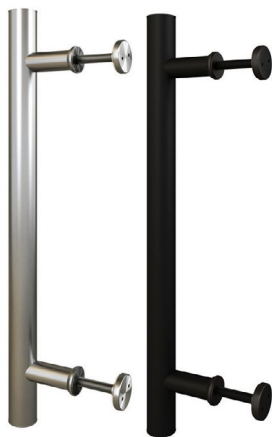
71 HD 14 BLK
13-3/4" H x 1-15/16" W x 9/16" D



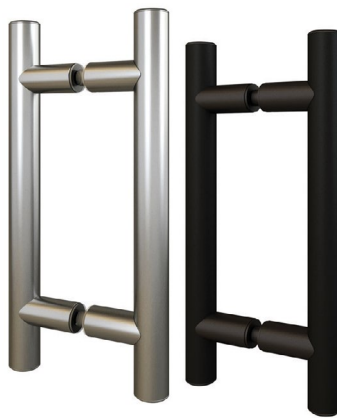
71 HD 17
11" H



71 HD 16 BLK/SS
Pull Handle
7-3/32" CTC
11-13/16" H x 1-9/16" W x 1" D
Finger Pull
8-21/32" H x 2-23/64" W



70 84 92 WD SS/ BLK
15-3/4" overall length



70 04 91 WD SS/ BLK
12" overall length

Stocked Product:

ITEM	FINISH
RUSTICPULL71HD03W BLK	Black
RUSTICPULL71HD05W BLK	Black
RUSTICPULL71HD05W SN	Satin Nickel
RUSTICPULL71HD06W BLK	Black
RUSTICPULL71HD11W BLK	Black
RUSTICPULL71HD14W BLK	Black
RUSTICPULL71HD16W BLK	Black
RUSTICPULL71HD16W SS	Stainless Steel
RUSTICPULL71HD17W BLK	Black
PREMPULL700491WD SS	Stainless Steel
PREMPULL700491WD BLK	Black
PREMPULL708492WD SS	Stainless Steel
PREMPULL708492WD BLK	Black

SLIDING BARN DOOR HARDWARE

ACCESSORIES



PREMIUM TRACK CONNECTOR
PREMCONNECTOR SS/DB



PREMIUM END CAP
PREMENDCAPS SS



PREMIUM CLAMP FIXTURE
PREMCLAMPFIX08 SS



PREMIUM SPACER BRACKET
(adds 1/4" clearance)
PREMSPACERBRKT SS/BLK



RUSTIC LINE ADJ SPACER BRACKET FOR MINI SERIES
(adjusts from 1-3/4" -2-1/2")
MINISPACERADJBRKT BLK/SLVR



FLAT TRACK SOFT CLOSE MECHANISM
MINSOFTCLOSE BLK/GRY



BARN DOOR LATCH
BRNDRLATCH SS/BLK

Stocked Product:

ITEM	FINISH
PREMCONNECTOR DB	Dark Bronze
PREMCONNECTOR SS	Stainless Steel
PREMENDCAPS SS	Stainless Steel
PREMCLAMPFIX08 SS	Stainless Steel
PREMSPACERBRKT BLK	Black
PREMSPACERBRKT SS	Stainless Steel
MINISPACERADJBRKT BLK	Black
MINISPACERADJBRKT SLVR	Silver
MINSOFTCLOSE BLK	Black
MINSOFTCLOSE GRY	Gray
BRNDRLATCH722092 SS	Stainless Steel
BRNDRLATCH722126 BLK	Black

SLIDING BARN DOOR HARDWARE

FLOOR GUIDES



POM MATERIAL, FLOOR MOUNTED INTERNAL GUIDE
PREMFLGUIDE02 BLK/GRY



STAINLESS STEEL FLOOR MOUNTED GUIDE
PREMFLGUIDE03 SS/BLK



POM MATERIAL, U SHAPED FLOOR MOUNTED GUIDE
PREMFLGUIDE07 BLK



STAINLESS STEEL FLOOR MOUNTED INTERNAL GUIDE
PREMFLGUIDE04 SS/DB



STAINLESS STEEL BRACKET/POM GUIDE, WALL MOUNTED INTERNAL GUIDE
PREMFLGUIDE17 SS/DB



STAINLESS STEEL WALL MOUNTED INTERNAL GUIDE
PREMFLGUIDE18 SS/DB



Stocked Product:

ITEM	FINISH
PREMFLGUIDE02 BLK	Black
PREMFLGUIDE02 GRY	Gray
PREMFLGUIDE03 BLK	Black
PREMFLGUIDE03 SS	Stainless Steel
PREMFLGUIDE04 DB	Dark Bronze
PREMFLGUIDE04 SS	Stainless Steel
PREMFLGUIDE07 BLK	Black
PREMFLGUIDE17 DB	Dark Bronze
PREMFLGUIDE17 SS	Stainless Steel
PREMFLGUIDE18 DB	Dark Bronze
PREMFLGUIDE18 SS	Stainless Steel

SLIDING BARN DOOR HARDWARE

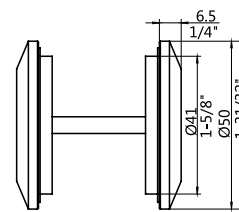
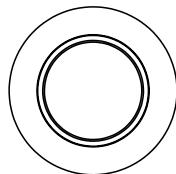
PULLS



71 13 92 WDSS



71 13 92 WDBLK



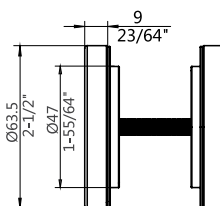
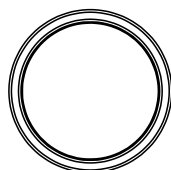
1-3/8" - 1-3/4"
(35 - 45mm)



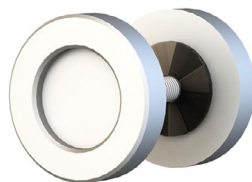
71 14 92 WDSS



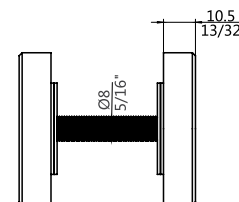
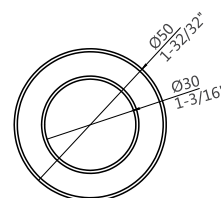
71 14 92 WDBLK



1-3/8" - 1-3/4"
(35 - 45mm)



71 14 92 WDAL



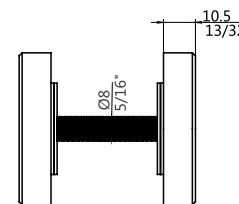
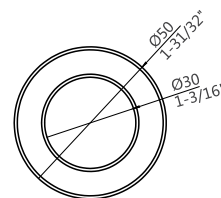
1-3/8" - 1-3/4"
(35 - 45mm)



71 16 92 WDSS



71 16 92 WDBLK



1-3/8" - 1-3/4"
(35 - 45mm)

Stocked Product:

ITEM	FINISH		
PREMPULL711392WD SS	Stainless Steel	PREMPULL711492WD BLK	Black
PREMPULL711392WD BLK	Black	PREMPULL711492WD AL	Aluminum
PREMPULL711492WD SS	Stainless Steel	PREMPULL711692WD SS	Stainless Steel
		PREMPULL711692WD BLK	Black

ABS LOCATIONS

DENVER

5025 Florence St Suite D
Denver, CO 80238
303-576-9200
Fax: 303-576-9222

LOS ANGELES

120 S Cedar Ave
Rialto, CA 92376
833-436-6752
Fax: 909-879-8701

PHOENIX

4635 W McDowell Rd Suite 130
Phoenix, AZ 85035
602-415-6528
Fax: 602-415-6520

SACRAMENTO

6300 S Watt Ave
Sacramento, CA 95829
800-527-3667
Fax: 916-379-4285